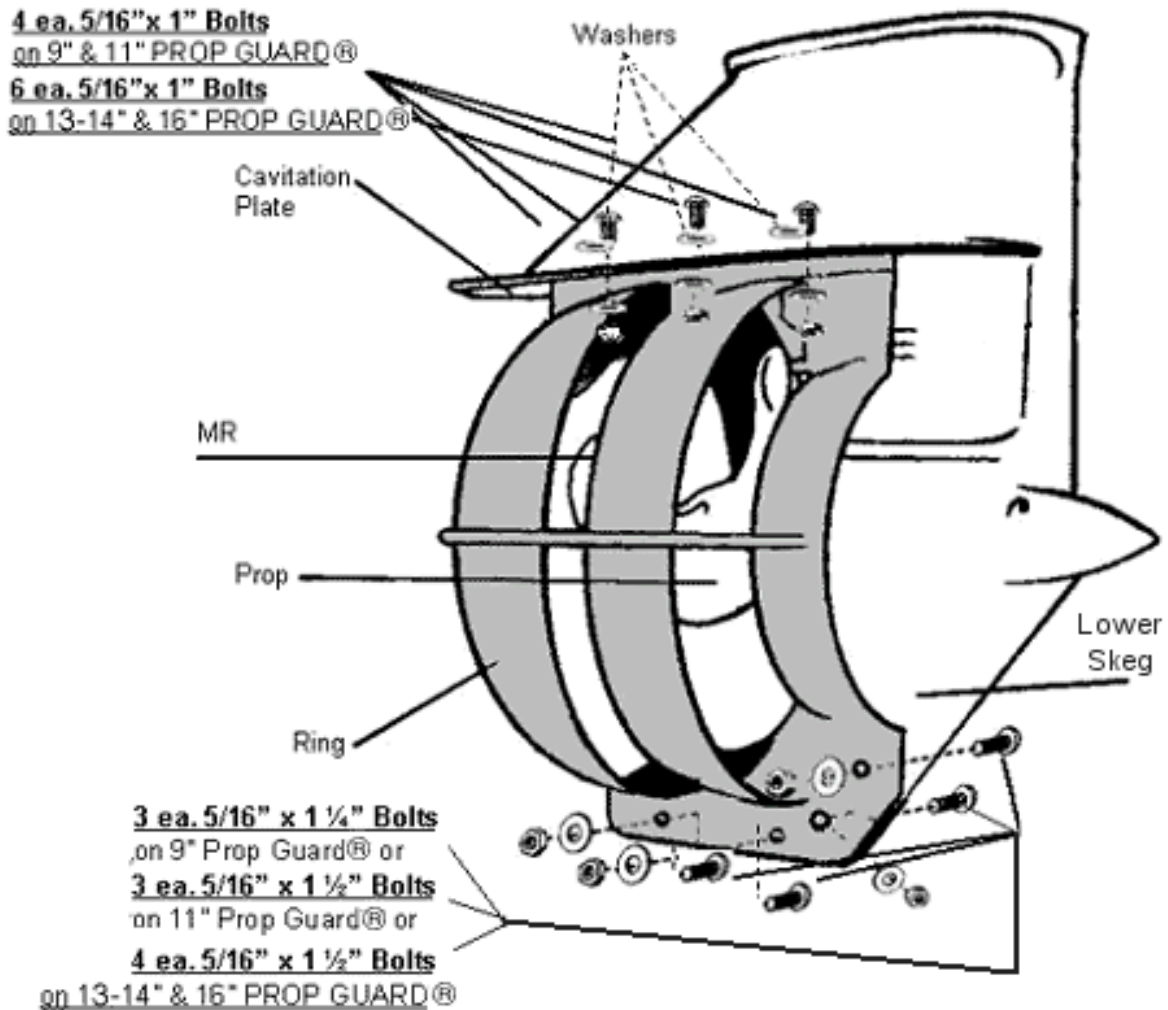


Prop Guard Installation Instructions

Time required: About 25-30 minutes. Don't be in a hurry!



1. You will need to remove the prop trim tab from the back of the cavitation plate or using a hacksaw, cut the tab off prior to installation of the Prop Guard®. Place the Prop Guard® on the underside of the cavitation plate. Align the guard so that equal distance exists between the guard and the prop when the propeller revolves inside the guard. The guard should be positioned as far forward on the cavitation plate as possible. Note: the mounting surface of the guard should remain flat against the cavitation plate. The use of a hand file may be needed to remove any imperfections in the lower surface of the cavitation plate and the lower skeg.
2. You must remove the trim tab fin under the cavitation plate either by unbolting it or using a hacksaw. It interferes with the flow of water after you install your Prop Guard®.
3. Clamp the guard to the cavitation plate using C-clamps or Grip clamps. Insert bolts, washers and Nyloc nuts through bottom of pre-drilled holes at bottom of rings and loosely tighten.
4. Make certain that the guard is square with the cavitation plate, propeller and lower skeg. **PROPELLER MUST BE IN LINE WITH MIDDLE RING PER ILLUSTRATION (MR) MIDDLE RING.**
5. Drill 2 holes through the cavitation plate and guard on each side. Insert bolts, washers and Nyloc nuts as illustrated and loosely tighten.
6. Drill 1 hole through lower skeg, per illustration. Insert bolt, washer and Nyloc nut, tighten securely. Now tighten cavitation bolts. **REMOVE CLAMPS !!!**
7. **EXTREMELY IMPORTANT: MAKE SURE YOUR MOTOR IS TRIMMED TO OBTAIN MAXIMUM PERFORMANCE OF YOUR PROP GUARD®.**